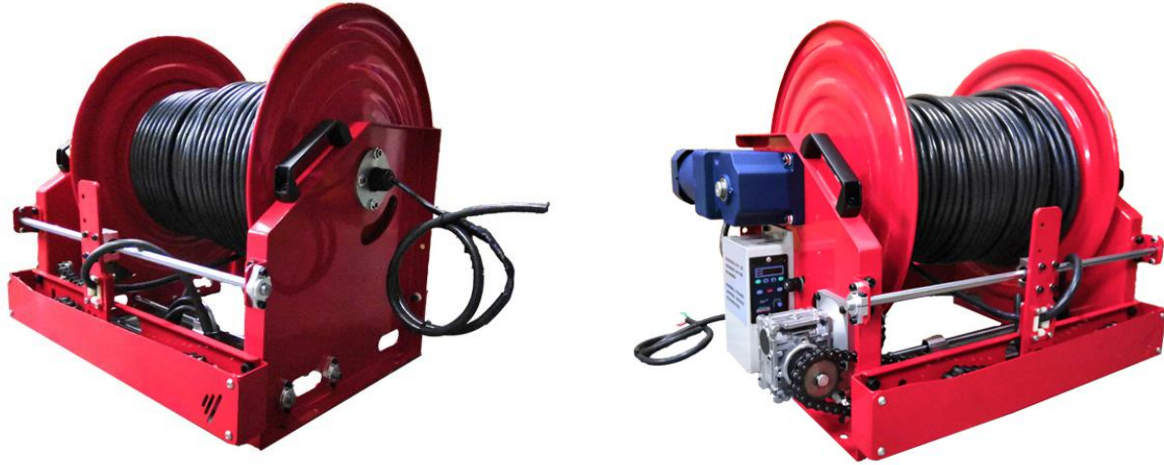


# Superreel® - Industrial Reel

## AESC500D SERIES



## FEATURES

- To handle live electric cable/cord.
- Powered by electric motor. Large capacity . Auto-distribution.
- Silver alloy slip ring.
- Durable abrasion and corrosion resistant baked-on power coat finish.
- Rugged construction: Steel drum and all bolted construction. Vibration-proof self-locking fasteners.
- Low maintenance: Dual main bearings never need lubrication.
- Compact for critical space requirements.
- Shipped completely assembled, ready to install.

1

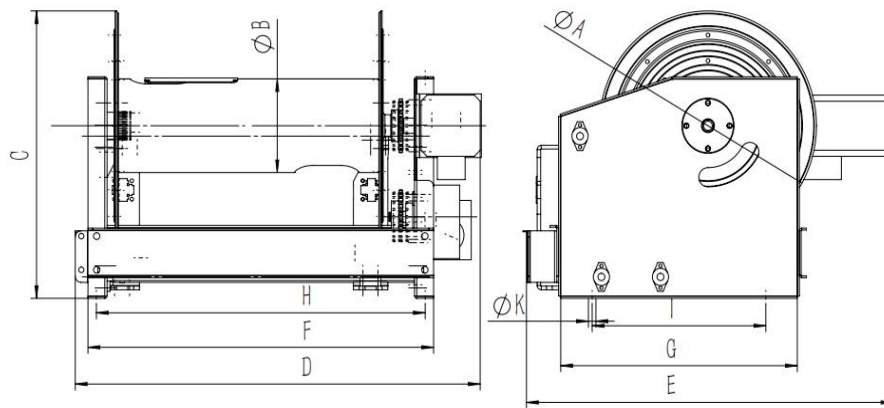


**WWW.SUPERREEL.COM**

Email: [sales@superreel.com](mailto:sales@superreel.com)

# Superreel® - Industrial Reel

## DIMENSIONS



P/N	Port&core number	HOSE-ID. or CABLE-square	Pressure or Imax	Working length	Reel inlet	Cable outlet	A	B	C	D	E	F	G	H	I	J	K
AESC500D0405010260	4	1.5 <sup>2</sup>	10A	260m	Bare wire	Bare wire	492	200	556	643	633	547	409	518	300	4	13
AESC500D0406020200	4	2.5 <sup>2</sup>	20A	200m	Bare wire	Bare wire	375	153	469	700	633	597	409	568	300	4	13
AESC500D0408030150	4	4 <sup>2</sup>	30A	150m	Bare wire	Bare wire	375	153	469	700	633	597	409	568	300	4	13
AESC500D0409050120	4	6 <sup>2</sup>	50A	120m	Bare wire	Bare wire	375	153	469	700	633	597	409	568	300	4	13

Dimensions are in millimeters

