

# Superreel® - Industrial Reel

## ASSR300S SERIES



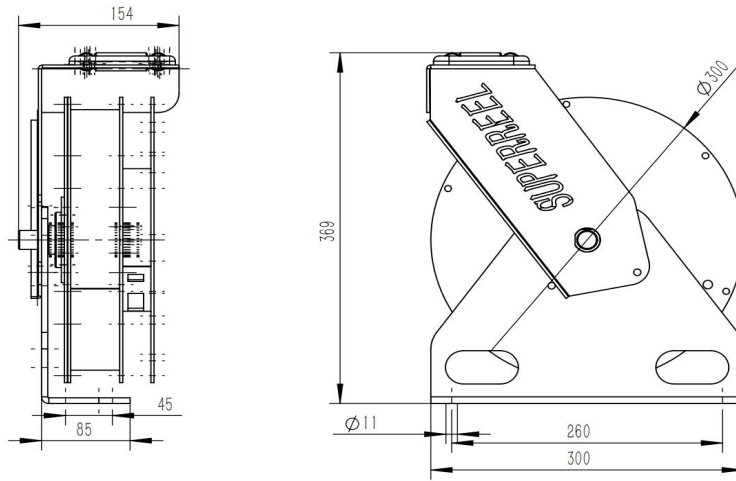
## FEATURES

- Static discharge, balancer, Ground connector
- Professional grade heavy duty steel construction.
- Reel drive springs manufactured from high-quality, scaleless blue tempered steel.
- Durable abrasion and corrosion resistant baked-on power coat finish.
- Multi-position non-sparking lock ratchet mechanism secures cable at desired length.
- Automatic spring retraction for quick cable rewind.
- Compact, Ultralight for critical space requirements.



# Superreel® - Industrial Reel

## DIMENSIONS



P/N	Port&core number	HOSE-ID. or CABLE-square	Pressure or Imax	Working Length	Reel inlet	wire outlet	A	B	C	D	E	F	G	H	I	J	K
ASSR300S0201010015	1	1/4"	10KG	15m	/	clasp	300	150	369	154	300	85	300	45	260	4	11
ASSR300S0205010015	1	1.5 <sup>2</sup>	10A	15m	/	clamp	300	150	369	154	300	85	300	45	260	4	11
							Dimensions are in millimeters										

