

# Superreel® - Industrial Reel

## AESH500D SERIES



## FEATURES

- Heavy-duty. All-steel construction.
- High pressure. Full flow shaft and swivel.
- Rugged construction: Steel drum and all bolted construction.
- Dimensional flexibility: Specify height, width and depth dimensions to fit your space requirement.
- Low maintenance: Dual main bearings never need lubrication.
- Shipped completely assembled, ready to install.

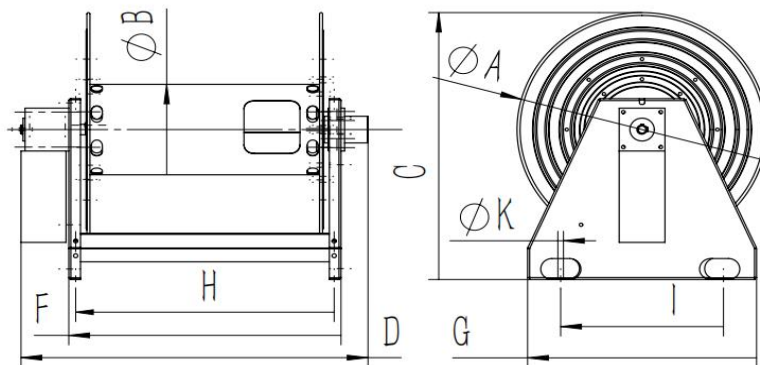


**WWW.SUPERREEL.COM**

Email: [sales@superreel.com](mailto:sales@superreel.com)

# Superreel® - Industrial Reel

## DIMENSIONS



| P/N                | Port&core number | HOSE-ID. or CABLE-square | Pressure or lmax | Working Lengh | Reel inlet | Hose outlet | A                             | B   | C   | D   | E   | F   | G   | H   | I   | J | K  |
|--------------------|------------------|--------------------------|------------------|---------------|------------|-------------|-------------------------------|-----|-----|-----|-----|-----|-----|-----|-----|---|----|
| AESH500D0101200050 | 1                | 1/4"                     | 20Mpa            | 50m           | BSPT1".F   | BSPT1/4".M  | 475                           | 189 | 560 | 653 | 475 | 386 | 442 | 359 | 320 | 4 | 11 |
| AESH500D0103200050 | 1                | 3/8"                     | 20Mpa            | 50m           | BSPT1".F   | BSPT3/8".M  | 475                           | 189 | 560 | 653 | 475 | 386 | 442 | 359 | 320 | 4 | 11 |
| AESH500D0104200050 | 1                | 1/2"                     | 20Mpa            | 50m           | BSPT1".F   | BSPT1/2".M  | 475                           | 189 | 560 | 653 | 475 | 386 | 442 | 359 | 320 | 4 | 11 |
| AESH500D0106200030 | 1                | 3/4"                     | 20Mpa            | 30m           | BSPT1".F   | BSPT3/4".M  | 475                           | 189 | 560 | 653 | 475 | 386 | 442 | 359 | 320 | 4 | 11 |
| AESH500D0106200050 | 1                | 3/4"                     | 20Mpa            | 50m           | BSPT1".F   | BSPT3/4".M  | 475                           | 235 | 560 | 819 | 475 | 550 | 442 | 525 | 320 | 4 | 11 |
| AESH500D0107200030 | 1                | 1"                       | 20Mpa            | 30m           | BSPT1".F   | BSPT1 ".M   | 475                           | 235 | 560 | 819 | 475 | 550 | 442 | 525 | 320 | 4 | 11 |
|                    |                  |                          |                  |               |            |             | Dimensions are in millimeters |     |     |     |     |     |     |     |     |   |    |

