

Superreel® - Industrial Reel

ASDH660D SERIES



FEATURES

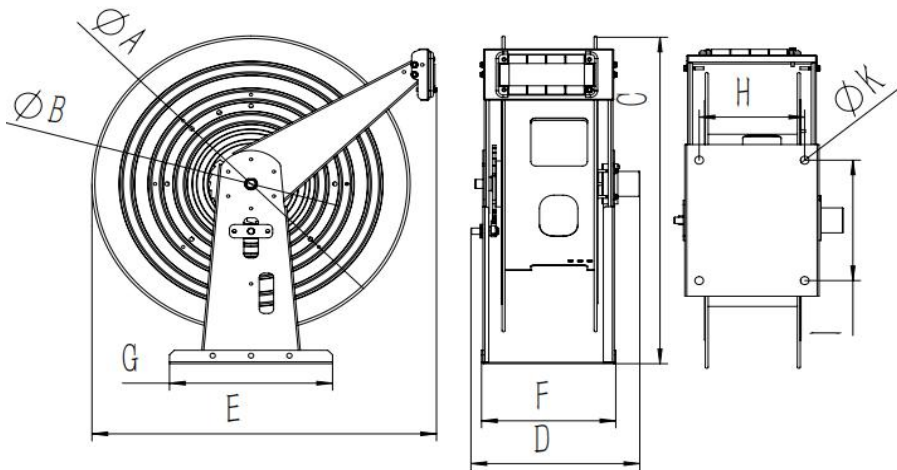
- Heavy duty. High-pressure. All-steel construction and a baked-on power coat finish combine.
- Full flow shaft swivels. Reduces fill rate time and improves efficiency.
- Anti-lockout design: Ratchet prevents lockup when hose is fully extended, eliminating the need to manually release the pawl at the reel.
- Superior performance: Swivel and reel ball bearings reduce torque load on power spring for smooth retraction and durability.
- Corrosion resistant: Sealed bearings prevent contamination and minimize maintenance.
- Easy installation and maintenance: Factory lubricated one-piece power spring cassette make installation safer and maintenance easier.



Superreel® - Industrial Reel

- Adjustable and Versatile: Guide arm adjust to wall, floor, vehicle, overhead positions.

DIMENSIONS



P/N	Port&core number	HOSE-ID. or CABLE-square	Pressure or lmax	Working length	Reel inlet	Hose outlet	A	B	C	D	E	F	G	H	I	J	K
ASDH660D0201300030	2	1/4"	30Mpa	30m	M20*1.5.M	BSPT1/4".F	660	400	735	352	720	280	340	220	270	4	18
ASDH660D0202300030	2	5/16"	30Mpa	30m	M20*1.5.M	BSPT3/8".F	660	400	735	352	720	280	340	220	270	4	18
ASDH660D0203300035	2	3/8"	30Mpa	25m	M20*1.5.M	BSPT3/8".F	660	400	735	352	720	280	340	220	270	4	18
ASDH660D0204300020	2	1/2"	30Mpa	20m	M20*1.5.M	BSPT1/2".M	660	400	735	352	720	280	340	220	270	4	18
Reel inlet, symmetrical distribution on left and right sides							Dimensions are in millimeters										

