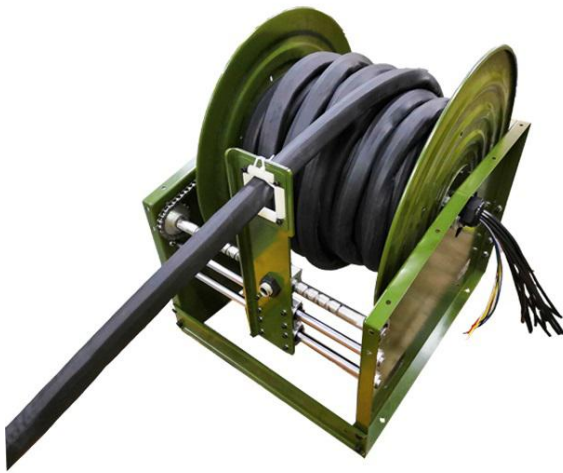


Superreel® - Industrial Reel

EEMO660D SERIES



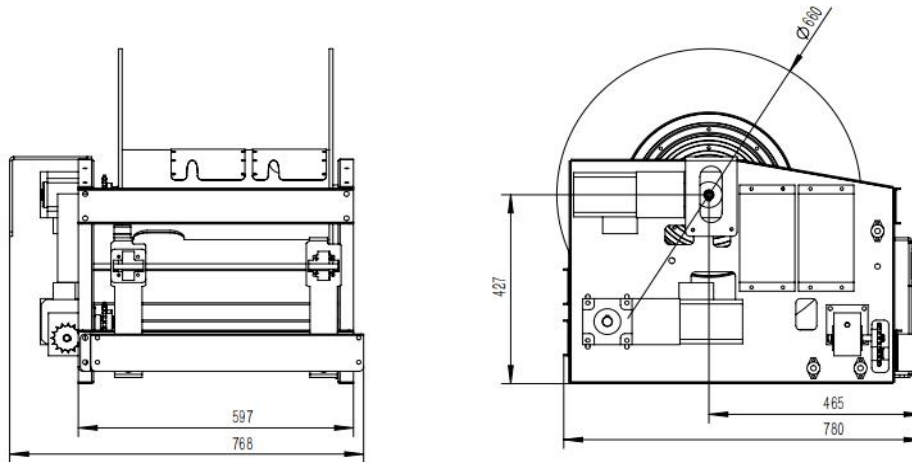
FEATURES

- 2 port,3 port,4 port or more port hydraulic hoses and one multi-core cable combined.
- Full flow shaft and swivel, high pressure. Large-diameter, Large capacity.
- Silver alloy slip ring. To handle live electric cable/cord.
- Automation, Powered by electric motor. Auto-distribution.
- Superior performance: Swivel and reel ball bearings reduce torque load on power spring for smooth retraction and durability.
- Easy installation and maintenance: Factory lubricated one-piece power spring cassette make installation safer and maintenance easier.
- Durable abrasion and corrosion resistant baked-on power coat finish.
- Rugged construction: Steel drum and all bolted construction. Vibration-proof self-locking fasteners.



Superreel® - Industrial Reel

DIMENSIONS



P/N	Port&core number	HOSE-ID. or CABLE-square	Pressure or lmax	Working length	Reel inlet	Cable outlet	A	B	C	D	E	F	G	H	I	J	K
EEMO660D0405200050	4	1/4"+3*1.5²	20Mpa+10A	50m	BSPT1/4".F +Bare wire	BSPT1/4".M +Bare wire	660	200	757	768	780	597	699	568	500	4	13
EEMO660D0505200050	5	1/2"+4*1.5²	20Mpa+10A	50m	BSPT1/2".F +Bare wire	BSPT1/2".M +Bare wire	660	200	757	768	780	597	699	568	500	4	13
220VAC, Working length more than 50 meters length only supports mobile installation							Dimensions are in millimeters										

