

Superreel® - Industrial Reel

EESH1400D SERIES



FEATURES

- Heavy-duty. Adaptive system.
- High pressure. Large frame design, large storage capacity. Full flow shaft and swivel.
- Rugged construction: Steel drum and all bolted construction.
- Dimensional flexibility: Specify height, width and depth dimensions to fit your space requirement.
- Low maintenance: Dual main bearings never need lubrication.
- Shipped completely assembled, ready to install.

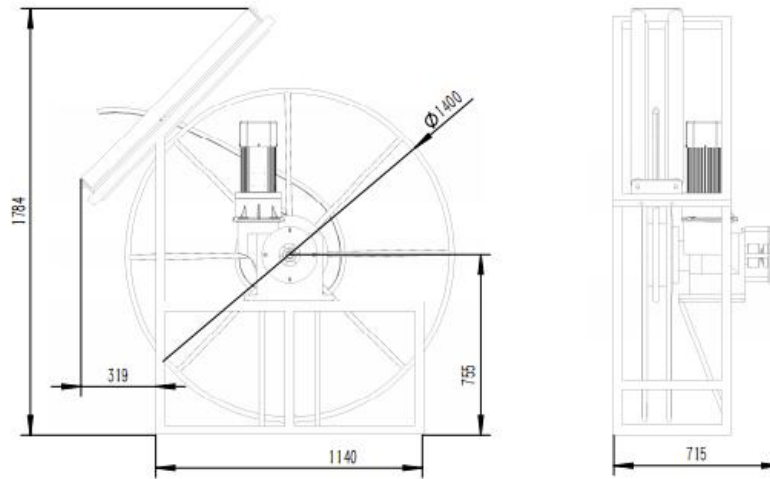


WWW.SUPERREEL.COM

Email: sales@superreel.com

Superreel® - Industrial Reel

DIMENSIONS



| P/N | Port&core number | HOSE-ID. or CABLE-square | Pressure or lmax | Working Lengh | Reel inlet | Hose outlet | A | B | C | D | E | F | G | H | I | J | K |
|---------------------|------------------|--------------------------|------------------|---------------|------------|-------------|-------------------------------|-----|------|------|------|-----|------|-----|------|---|----|
| EESH1400D0101160180 | 1 | 1/4" | 16Mpa | 180m | BSPT1".F | BSPT1/4".M | 1400 | 260 | 1784 | 715 | 1600 | 500 | 1140 | 460 | 1000 | 4 | 16 |
| EESH1400D0104160150 | 1 | 1/2" | 16Mpa | 150m | BSPT1".F | BSPT1/2".M | 1100 | 600 | 1177 | 1028 | 1210 | 935 | 1210 | 855 | 860 | 4 | 24 |
| | | | | | | | Dimensions are in millimeters | | | | | | | | | | |

