

# Superreel® - Industrial Reel

## ASSC660D SERIES



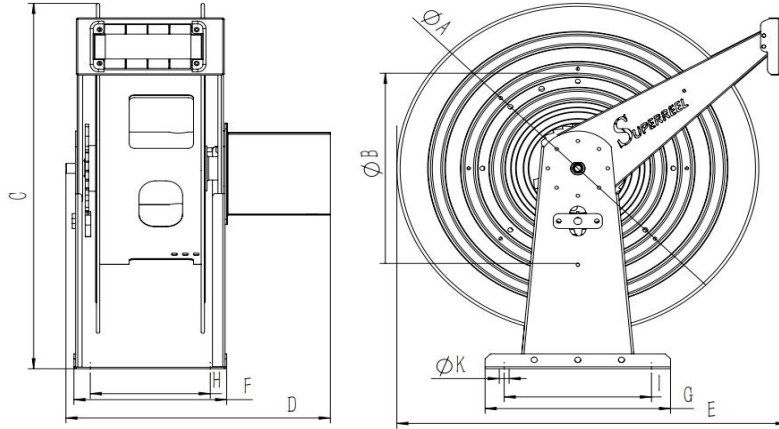
## FEATURES

- To handle live electric cable/cord.
- Professional grade heavy duty steel construction. High Power, Multi-Cores.
- Silver alloy slip ring.
- Reel drive springs manufactured from high-quality, scaleless blue tempered steel.
- Durable abrasion and corrosion resistant baked-on power coat finish.
- Adjustable bumper stop allow any desired length of cord or cable to be maintained outside the reel.
- Automatic spring retraction for quick cord rewind.
- Compact for critical space requirements.



# Superreel® - Industrial Reel

## DIMENSIONS



P/N	Port&core number	HOSE-ID. or CABLE-square	Pressure or I <sub>max</sub>	Working Lengh	Reel inlet	Cable outlet	A	B	C	D	E	F	G	H	I	J	K
ASSC660D0408030030	4	4 <sup>2</sup>	30A	30m	Bare wire	Bare wire	660	400	735	352	720	280	340	220	270	4	18
ASSC660D0409050030	4	6 <sup>2</sup>	50A	30m	Bare wire	Bare wire	660	400	735	485	720	280	340	220	270	4	18
ASSC660D0410065030	4	10 <sup>2</sup>	65A	30m	Bare wire	Bare wire	660	400	735	485	720	280	340	220	270	4	18
ASSC660D0509050025	5	6 <sup>2</sup>	50A	25m	Bare wire	Bare wire	660	400	735	485	720	280	340	220	270	4	18
ASSC660D0410120020	4	25 <sup>2</sup>	120A	20m	Bare wire	Bare wire	660	400	735	485	720	280	340	220	270	4	18
							Dimensions are in millimeters										

