

Superreel® - Industrial Reel

AESC1200D SERIES



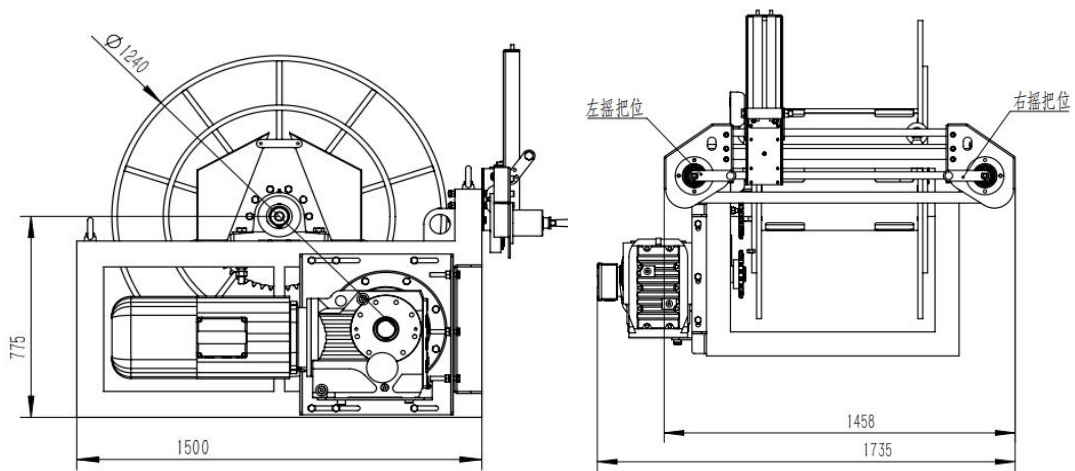
FEATURES

- To handle live electric cable/cord.
- Powered by electric motor. Large frame.
- Silver alloy slip ring.
- Durable abrasion and corrosion resistant baked-on power coat finish.
- Rugged construction: Steel drum and all bolted construction. Vibration-proof self-locking fasteners.
- Low maintenance: Dual main bearings never need lubrication.
- Compact for critical space requirements.
- Shipped completely assembled, ready to install.



Superreel® - Industrial Reel

DIMENSIONS



P/N	Port&core number	HOSE-ID. or CABLE-square	Pressure or lmax	Working length	Reel inlet	Cable outlet	A	B	C	D	E	F	G	H	I	J	K
AESC1200D0415000080	4	75 ²	/	80m	Bare wire	Bare wire	1240	506	1395	1735	1867	1050	1500	700	1400	4	32
AESC1200D0416000060	4	95 ²	/	60m	Bare wire	Bare wire	1240	506	1395	1735	1867	1050	1500	700	1400	4	32
AESC1200D0417000050	4	120 ²	/	50m	Bare wire	Bare wire	1240	506	1395	1735	1867	1050	1500	700	1400	4	32
							Dimensions are in millimeters										

