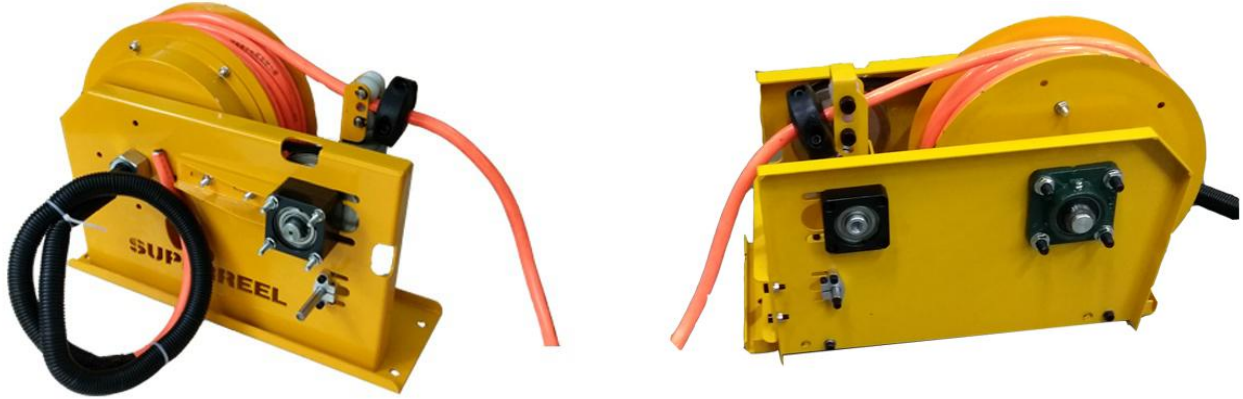


Superreel® - Industrial Reel

AESC270D SERIES



FEATURES

- To handle live electric cable/cord. Auto-distribution
- Powered by electric motor.
- Silver alloy slip ring.
- Durable abrasion and corrosion resistant baked-on power coat finish.
- Rugged construction: Steel drum and all bolted construction. Vibration-proof self-locking fasteners.
- Adjustable bumper stop allow any desired length of cord or cable to be maintained outside the reel.
- Low maintenance: Dual main bearings never need lubrication.
- Compact for critical space requirements.
- Shipped completely assembled, ready to install.

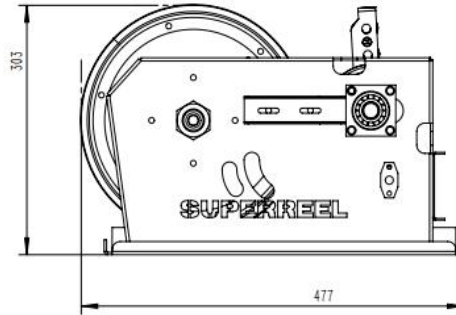
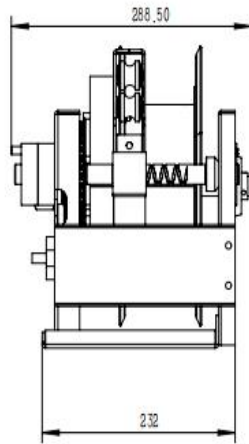


WWW.SUPERREEL.COM

Email: sales@superreel.com

Superreel® - Industrial Reel

DIMENSIONS



P/N	Port&core number	HOSE-ID. or CABLE-square	Pressure or lmax	Working length	Reel inlet	Cable outlet	A	B	C	D	E	F	G	H	I	J	K
AESC270D0405010015	4	1.5 ²	10A	15m	Bare wire	Bare wire	270	120	345	288	477	232	460	90	405	4	11
AESC270D0408030010	4	4 ²	30A	10m	Bare wire	Bare wire	270	120	345	288	477	232	460	90	405	4	11
Suitable for super flexible cable							Dimensions are in millimeters										

