

# Superreel® - Industrial Reel

## AMSC270D SERIES



## FEATURES

- To handle live electric cable/cord.
- Crank rewind. Power rewind available, consult factory.
- Silver alloy slip ring.
- Durable abrasion and corrosion resistant baked-on power coat finish.
- Rugged construction: Steel drum and all bolted construction. Vibration-proof self-locking fasteners.
- Safe: adjustable spool rotation drag eliminates cord backlash when de-reeling. Lock pin prevents spool rotation when reel is not in use.
- Low maintenance: Dual main bearings never need lubrication.
- Compact for critical space requirements.
- Shipped completely assembled, ready to install.

1

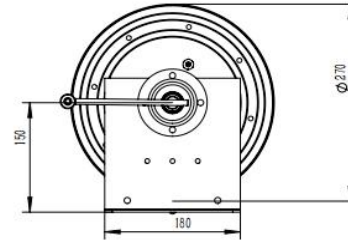
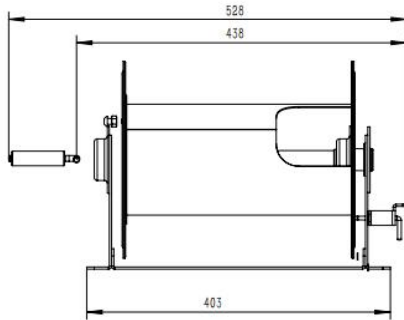


**WWW.SUPERREEL.COM**

Email: [sales@superreel.com](mailto:sales@superreel.com)

# Superreel® - Industrial Reel

## DIMENSIONS



P/N	Port&core number	HOSE-ID. or CABLE-square	Pressure or lmax	Working length	Reel inlet	Cable outlet	A	B	C	D	E	F	G	H	I	J	K
AMSC270D0305010050	3	1.5 <sup>2</sup>	10A	50m	Bare wire	Bare wire	270	152	285	528	270	403	180	373	150	4	11
AMSC270D0306020040	3	2.5"	20A	40m	Bare wire	Bare wire	270	152	285	528	270	403	180	373	150	4	11
AMSC270D0307030030	3	4"	30A	30m	Bare wire	Bare wire	270	152	285	528	270	403	180	373	150	4	11
							Dimensions are in millimeters										

