

# Superreel® - Industrial Reel

## AESH900D SERIES



## FEATURES

- Heavy-duty. All-steel construction.
- High pressure. Large frame design, large storage capacity. Full flow shaft and swivel.
- Rugged construction: Steel drum and all bolted construction.
- Dimensional flexibility: Specify height, width and depth dimensions to fit your space requirement.
- Low maintenance: Dual main bearings never need lubrication.
- Shipped completely assembled, ready to install.

1

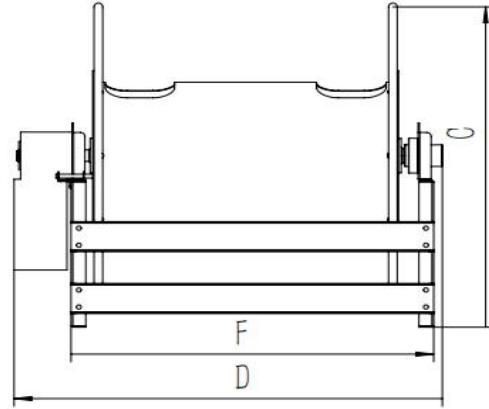
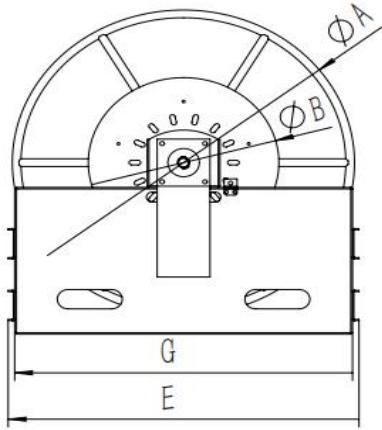


**WWW.SUPERREEL.COM**

Email: [sales@superreel.com](mailto:sales@superreel.com)

# Superreel® - Industrial Reel

## DIMENSIONS



P/N	Port&core number	HOSE-ID. or CABLE-square	Pressure or I <sub>max</sub>	Working Length	Reel inlet	Hose outlet	A	B	C	D	E	F	G	H	I	J	K
AESH900D0108016060	1	1-1/4"	1.6Mpa	60m	BSPT1-1/4"*.F	BSPT1-1/4"*.M	900	380	995	1015	900	819	772	781	584	4	11
AESH900D0109016060	1	1-1/2"	1.6Mpa	60m	BSPT1-1/2"*.F	BSPT1-1/2"*.M	900	380	995	1015	900	819	772	781	584	4	11
AESH900D0110016050	1	2"	1.6Mpa	50m	BSPT2"*.F	BSPT2"*.M	900	380	995	1015	900	819	772	781	584	4	11
AESH900D0111016050	1	2-1/2"	1.6Mpa	50m	BSPT1-1/2"*.F	BSPT1-1/2"*.M	900	380	995	1015	900	819	772	781	584	4	11
							Dimensions are in millimeters										

