

Superreel® - Industrial Reel

AMSC370D SERIES



FEATURES

- To handle live electric cable/cord.
- Crank rewind. Power rewind available, consult factory.
- Silver alloy slip ring. High-capacity.
- Durable abrasion and corrosion resistant baked-on power coat finish.
- Rugged construction: Steel drum and all bolted construction. Vibration-proof self-locking fasteners.
- Safe: adjustable spool rotation drag eliminates cord backlash when de-reeling. Lock pin prevents spool rotation when reel is not in use.
- Low maintenance: Dual main bearings never need lubrication.
- Compact for critical space requirements.
- Shipped completely assembled, ready to install.

1

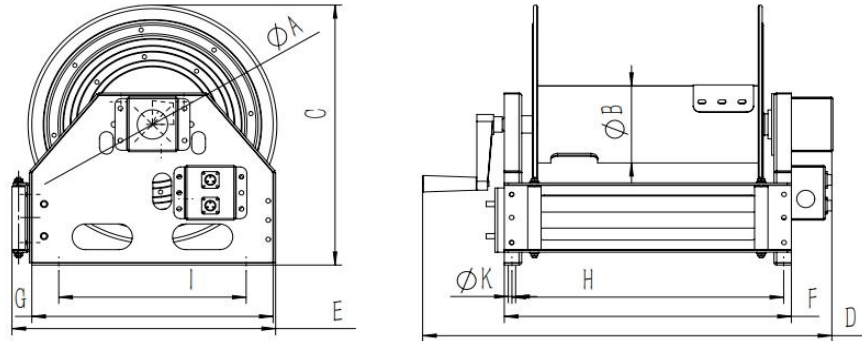


WWW.SUPERREEL.COM

Email: sales@superreel.com

Superreel® - Industrial Reel

DIMENSIONS



P/N	Port&core number	HOSE-ID. or CABLE-square	Pressure or lmax	Working length	Reel inlet	Cable outlet	A	B	C	D	E	F	G	H	I	J	K
ASSC370D0405010020	4	1.5 ²	10A	20m	Bare wire	Bare wire	370	235	445	265	390	210	220	150	160	4	13
ASSC370D0406020020	4	2.5 ²	20A	20m	Bare wire	Bare wire	370	235	445	265	390	210	220	150	160	4	13
ASSC370D0408030015	4	4 ²	30A	15m	Bare wire	Bare wire	370	235	445	265	390	210	220	150	160	4	13
ASSC370D0409050012	4	6 ²	50A	12m	Bare wire	Bare wire	370	235	445	265	390	210	220	150	160	4	13
							Dimensions are in millimeters										

