

Superreel® - Industrial Reel

ASMO660D SERIES



FEATURES

- 2 port, 3 port, 4 port or more port hydraulic hoses and one multi-core cable combined.
- Full flow shaft and swivel, high pressure.
- Silver alloy slip ring.
- Self winding by permanent spring force
- Reel drive springs manufactured from high-quality, scaleless blue tempered steel.
- Anti-lockout design: Ratchet prevents lockup when hose is fully extended, eliminating the need to manually release the pawl at the reel.
- Superior performance: Swivel and reel ball bearings reduce torque load on power spring for smooth retraction and durability.
- Corrosion resistant: Sealed bearings prevent contamination and minimize maintenance.



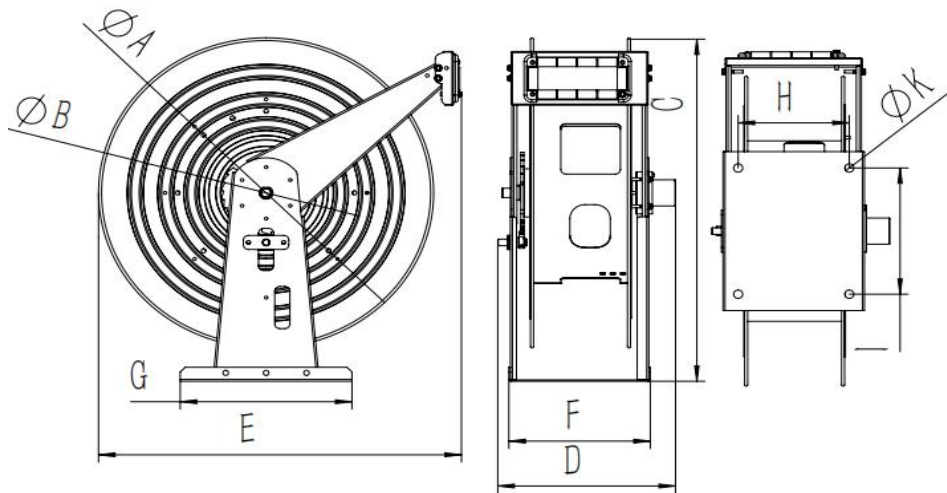
WWW.SUPERREEL.COM

Email: sales@superreel.com

Superreel® - Industrial Reel

- Easy installation and maintenance: Factory lubricated one-piece power spring cassette make installation safer and maintenance easier.
- Adjustable and Versatile: Guide arm adjust to wall, floor, vehicle, overhead positions. Narrow design allows for maximum use of available space.

DIMENSIONS



P/N	Port&core number	HOSE-ID. or CABLE-square	Pressure or lmax	Working length	Reel inlet	Hose outlet	A	B	C	D	E	F	G	H	I	J	K
ASMO660D0405200020	4	1/4"+3*1.5 ²	20Mpa+10A	20m	BSPT1/4".F +Bare wire	BSPT1/4".M +Bare wire	660	400	735	352	720	280	340	220	270	4	18
ASMO660D0506200020	5	3/8"+3*2.5 ²	20Mpa+20A	20m	BSPT3/8".F +Bare wire	BSPT3/8".M +Bare wire	660	400	735	352	720	280	340	220	270	4	18
ASMO660D1205200020	12	3/8"+10*1.5 ²	20Mpa+10A	20m	BSPT3/8".F +Bare wire	BSPT3/8".M +Bare wire	660	400	735	352	720	280	340	220	270	4	18
ASMO660D0406200020	4	3/4"+3*2.5 ²	20Mpa+20A	20m	BSPT3/4".F +Bare wire	BSPT3/4".M +Bare wire	660	400	735	352	720	280	340	220	270	4	18
The right side is the fluid inlet,the left side is the cable outlet.							Dimensions are in millimeters										

