

Superreel® - Industrial Reel

AMSH680D SERIES



FEATURES

- Heavy-duty. All-steel construction.
- Full flow shaft and swivel
- Rugged construction: Steel drum and all bolted construction. Vibration-proof self-locking fasteners.
- Safe: adjustable spool rotation drag eliminates hose backlash when de-reeling. Lock pin prevents spool rotation when reel is not in use.
- Versatile: Reel can be easily converted to power-driven type with motor mounting at either end of reel.
- Low maintenance: Dual main bearings never need lubrication.
- Shipped completely assembled, ready to install.

1

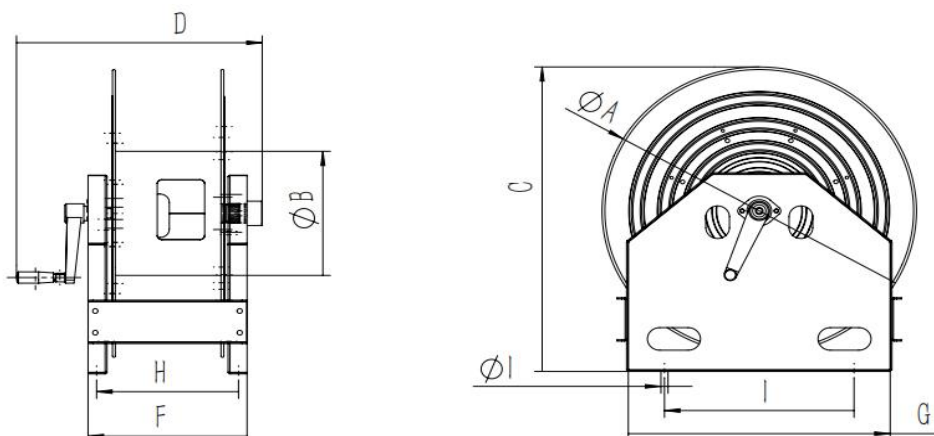


WWW.SUPERREEL.COM

Email: sales@superreel.com

Superreel® - Industrial Reel

DIMENSIONS



P/N	Port&core number	HOSE-ID. or CABLE-square	Pressure or lmax	Working length	Reel inlet	Hose outlet	A	B	C	D	E	F	G	H	I	J	K
AMSH680D0104200100	1	1/2"	20Mpa	100m	BSPT1".F	BSPT1/2".M	660	286	700	518	660	336	553	300	400	4	15
AMSH680D0106200030	1	3/4"	20Mpa	30m	BSPT1".F	BSPT3/4".M	660	286	700	518	660	336	553	300	400	4	15
AMSH680D0106200050	1	3/4"	20Mpa	50m	BSPT1".F	BSPT3/4".M	660	286	700	652	660	470	553	434	400	4	15
AMSH680D0107200050	1	1"	20Mpa	50m	BSPT1".F	BSPT1".M	660	326	700	837	660	655	553	619	400	4	15
AMSH680D0108200030	1	1-1/4"	20Mpa	30m	BSPT1-1/4".F	BSPT1-1/4".F	660	326	700	837	660	655	553	619	400	4	15
AMSH680D0109200020	1	1-1/2"	20Mpa	20m	BSPT1-1/2".F	BSPT1-1/2".F	660	326	700	837	660	655	553	619	400	4	15
							Dimensions are in millimeters										

