

# Superreel® - Industrial Reel

## AMSC1100D SERIES



## FEATURES

- Crank rewind. For storage only, no live connections. Large frame. Movable Storage.
- Durable abrasion and corrosion resistant baked-on power coat finish.
- Rugged construction: Steel drum and all bolted construction. Vibration-proof self-locking fasteners.
- Safe: adjustable spool rotation drag eliminates cord backlash when de-reeling. Lock pin prevents spool rotation when reel is not in use.
- Low maintenance: Dual main bearings never need lubrication.
- Compact for critical space requirements.
- Shipped completely assembled, ready to install.

1

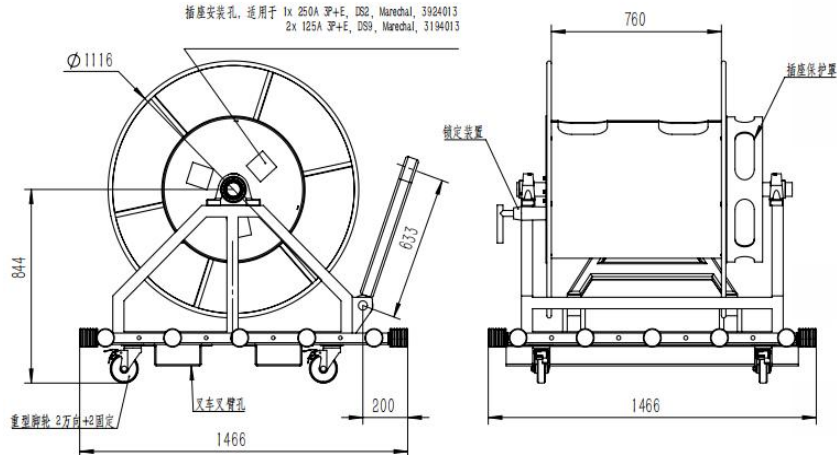


**WWW.SUPERREEL.COM**

Email: [sales@superreel.com](mailto:sales@superreel.com)

# Superreel® - Industrial Reel

## DIMENSIONS



P/N	Port&core number	HOSE-ID. or CABLE-square	Pressure or Imax	Working length	Reel inlet	Hose outlet	A	B	C	D	E	F	G	H	I	J	K
AMSC1100D0413000100	4	35	/	100	Bare wire	Bare wire	475	189	560	613	475	386	442	359	320	4	11
AMSC1100D0414000080	4	50	/	80	Bare wire	Bare wire	475	189	560	613	475	386	442	359	320	4	11
AMSC1100D0415000060	4	75	/	60	Bare wire	Bare wire	475	189	560	613	475	386	442	359	320	4	11
AMSC1100D0416000050	4	95	/	50	Bare wire	Bare wire	475	189	560	613	475	386	442	359	320	4	11
AMSC1100D0417000050	4	120	/	50	Bare wire	Bare wire	475	189	560	613	475	386	442	359	320	4	11
For storage only, no live connections.							Dimensions are in millimeters										

