

Superreel® - Industrial Reel

ASSH530D SERIES



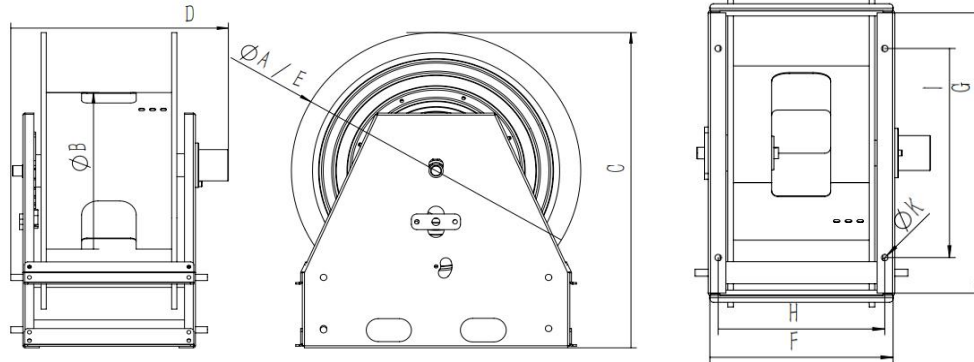
FEATURES

- Dual pedestal, heavy duty. Negative & medium pressure. All-steel construction and a baked-on power coat finish combine.
- Reel drive springs manufactured from high-quality, scaleless blue tempered steel.
- Anti-lockout design: Ratchet prevents lockup when hose is fully extended, eliminating the need to manually release the pawl at the reel.
- Superior performance: Swivel and reel ball bearings reduce torque load on power spring for smooth retraction and durability.
- Corrosion resistant: Sealed bearings prevent contamination and minimize maintenance.
- Easy installation and maintenance: Factory lubricated one-piece power spring cassette make installation safer and maintenance easier.
- Adjustable and Versatile: Guide arm adjust to wall, floor, vehicle, overhead positions. Narrow design allows for maximum use of available space.



Superreel® - Industrial Reel

DIMENSIONS



P/N	Port&core number	HOSE-ID. or CABLE-square	Pressure or lmax	Working length	Reel inlet	Hose outlet	A	B	C	D	E	F	G	H	I	J	K
ASSH530D0109016008	1	1-1/2"	1.6Mpa	8m	BSPT1-1/2".M	BSPT1-1/2".M	530	300	604	398	530	310	483	282	360	4	11
ASSH530D0109016015	1	1-1/2"	1.6Mpa	15m	BSPT1-1/2".M	BSPT1-1/2".M	530	300	604	560	530	470	514	436	360	4	11
ASSH530D0110016015	1	2"	1.6Mpa	15m	BSPT2".M	BSPT2".M	530	300	604	560	530	470	514	436	360	4	11
Reels finished standard with small bend radius of hose.							Dimensions are in millimeters										

