

Superreel® - Industrial Reel

ASMO500D SERIES



FEATURES

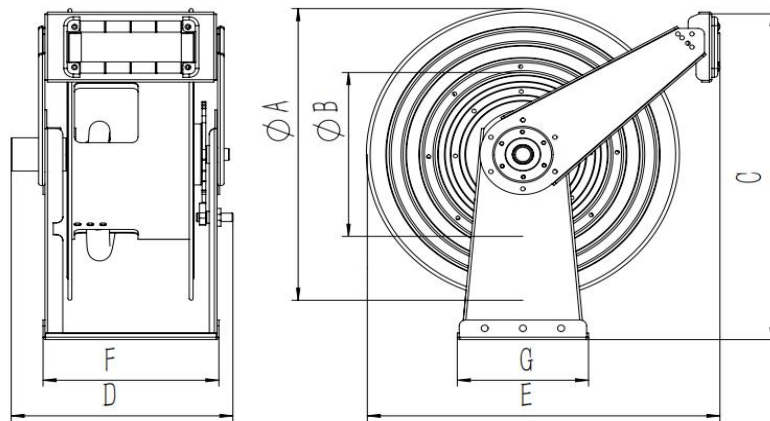
- 2 port,3 port,4 port or more port hydraulic hoses and one multi-core cable combined.
- Full flow shaft and swivel, high pressure.
- Silver alloy slip ring.
- Self winding by permanent spring force
- Reel drive springs manufactured from high-quality, scaleless blue tempered steel.
- Anti-lockout design: Ratchet prevents lockup when hose is fully extended, eliminating the need to manually release the pawl at the reel.
- Superior performance: Swivel and reel ball bearings reduce torque load on power spring for smooth retraction and durability.
- Corrosion resistant: Sealed bearings prevent contamination and minimize maintenance.



Superreel® - Industrial Reel

- Easy installation and maintenance: Factory lubricated one-piece power spring cassette make installation safer and maintenance easier.
- Adjustable and Versatile: Guide arm adjust to wall, floor, vehicle, overhead positions. Narrow design allows for maximum use of available space.

DIMENSIONS



P/N	Port&core number	HOSE-ID. or CABLE-square	Pressure or I _{max}	Working length	Reel inlet	Hose&Cable outlet	A	B	C	D	E	F	G	H	I	J	K
ASMO500D0405200015	4	1/4"+3*1.5 ²	20Mpa+10A	15m	BSPT1/4".F +Bare wire	BSPT1/4".M +Bare wire	485	270	550	348	553	276	206	152	152	4	12
ASMO500D0506200015	5	3/8"+3*2.5 ²	20Mpa+20A	15m	BSPT3/8".F +Bare wire	BSPT3/8".M +Bare wire	485	270	550	348	553	276	206	152	152	4	12
ASMO500D1205200015	12	3/8"+10*1.5 ²	20Mpa+10A	15m	BSPT3/8".F +Bare wire	BSPT3/8".M +Bare wire	485	270	550	348	553	276	206	152	152	4	12
ASMO500D0406200010	4	3/4"+3*2.5 ²	20Mpa+20A	10m	BSPT3/4".F +Bare wire	BSPT3/4".M +Bare wire	485	270	550	348	553	276	206	152	152	4	12
The left side is the fluid inlet,the right side is the cable outlet.							Dimensions are in millimeters										

