

# Superreel® - Industrial Reel

## AESH370D SERIES



## FEATURES

- Heavy-duty. All-steel construction.
- Full flow shaft and swivel.
- Rugged construction: Steel drum and all bolted construction.
- Dimensional flexibility: Specify height, width and depth dimensions to fit your space requirement.
- Low maintenance: Dual main bearings never need lubrication.
- Shipped completely assembled, ready to install.

1

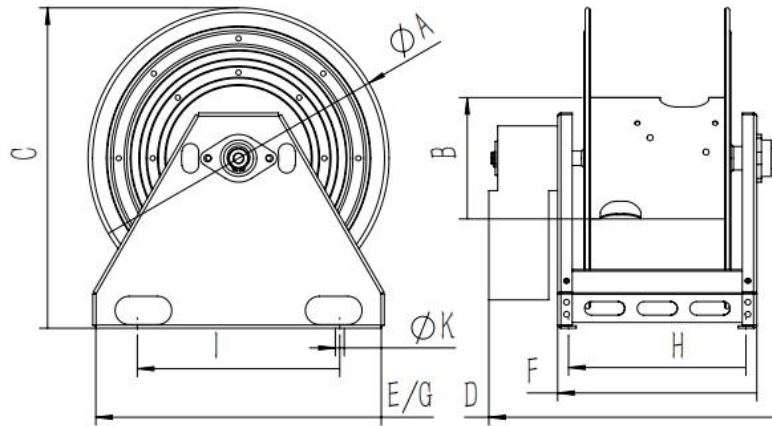


**WWW.SUPERREEL.COM**

Email: [sales@superreel.com](mailto:sales@superreel.com)

# Superreel® - Industrial Reel

## DIMENSIONS



P/N	Port&core number	HOSE-ID. or CABLE-square	Pressure or lmax	Working length	Reel inlet	Hose outlet	A	B	C	D	E	F	G	H	I	J	K
AESH370D0101016015	1	1/4"	1.6Mpa	50m	BSPT1/4".F	BSPT1/4".M	372	140	389	460	372	350	140	320	110	4	11
AESH370D0103016015	1	3/8"	1.6Mpa	40m	BSPT3/8".F	BSPT3/8".M	372	140	389	460	372	350	140	320	110	4	11
AESH370D0104016015	1	1/2"	1.6Mpa	40m	BSPT1/2".F	BSPT1/2".M	372	140	389	460	372	350	140	320	110	4	11
							Dimensions are in millimeters										

