

Superreel® - Industrial Reel

ASTH660D SERIES



FEATURES

- Dual pedestal, heavy duty. Reel frame, spool and drum are fabricated of heavy gauge steel.
- Full flow shaft swivels. Double-sealed, "O" rings prevent leakage.
- Anti-lockout design: Ratchet prevents lockup when hose is fully extended, eliminating the need to manually release the pawl at the reel.
- Superior performance: Swivel and reel ball bearings reduce torque load on power spring for smooth retraction and durability.
- Corrosion resistant: Sealed bearings prevent contamination and minimize maintenance.
- Easy installation and maintenance: Factory lubricated one-piece power spring cassette make installation safer and maintenance easier.

1



WWW.SUPERREEL.COM

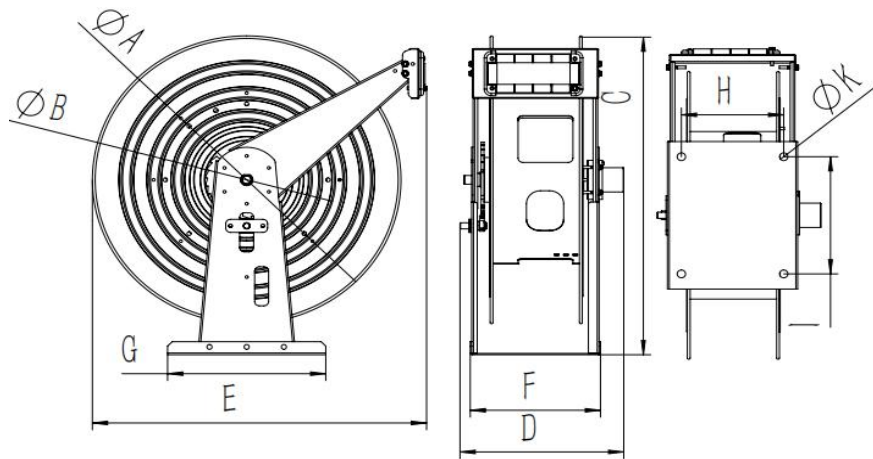
Email: sales@superreel.com

Superreel® - Industrial Reel

- Adjustable and Versatile : Guide arm adjust to wall, floor, vehicle, overhead positions.

Narrow design allows for maximum use of available space.

DIMENSIONS



| P/N | Port&core number | HOSE-ID. or CABLE-square | Pressure or lmax | Working length | Reel inlet | Hose outlet | A | B | C | D | E | F | G | H | I | J | K |
|--------------------|------------------|--------------------------|------------------|----------------|------------|-------------|-------------------------------|-----|-----|-----|-----|-----|-----|-----|-----|---|----|
| ASTH660D0201016030 | 2 | 1/4" | 1.6Mpa | 30m | BSPT1/4".F | BSPT1/4".F | 660 | 400 | 735 | 352 | 720 | 280 | 340 | 220 | 270 | 4 | 18 |
| ASTH660D0202016030 | 2 | 5/16" | 1.6Mpa | 30m | BSPT3/8".F | BSPT3/8".F | 660 | 400 | 735 | 352 | 720 | 280 | 340 | 220 | 270 | 4 | 18 |
| ASTH660D0203016030 | 2 | 3/8" | 1.6Mpa | 30m | BSPT3/8".F | BSPT3/8".F | 660 | 400 | 735 | 352 | 720 | 280 | 340 | 220 | 270 | 4 | 18 |
| ASTH660D0204016030 | 2 | 1/2" | 1.6Mpa | 30m | BSPT1/2".M | BSPT1/2".M | 660 | 400 | 735 | 352 | 720 | 280 | 340 | 220 | 270 | 4 | 18 |
| | | | | | | | Dimensions are in millimeters | | | | | | | | | | |

