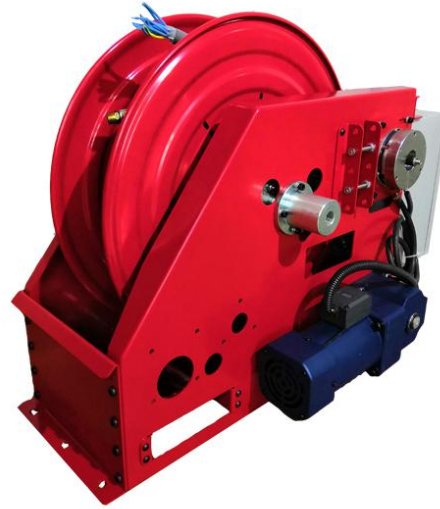
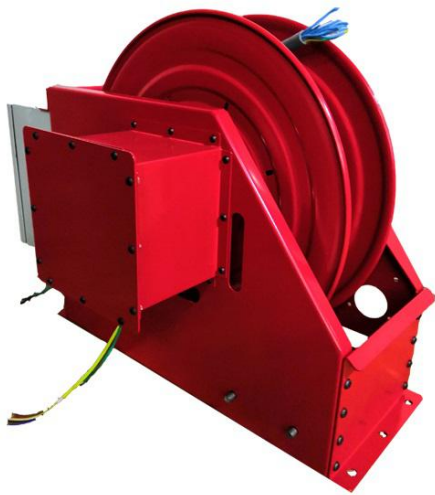


Superreel® - Industrial Reel

EEMO530D SERIES



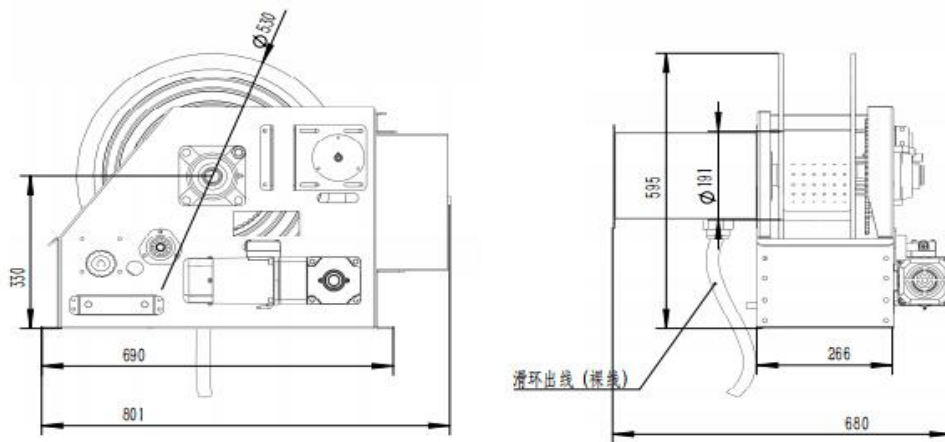
FEATURES

- 2 port,3 port,4 port or more port hydraulic hoses and one multi-core cable combined.
- Full flow shaft and swivel, high pressure.
- Silver alloy slip ring. To handle live electric cable/cord.
- Automation, Powered by electric motor.
- Superior performance: Swivel and reel ball bearings reduce torque load on power spring for smooth retraction and durability.
- Easy installation and maintenance.
- Durable abrasion and corrosion resistant baked-on power coat finish.
- Rugged construction: Steel drum and all bolted construction. Vibration-proof self-locking fasteners.
- Compact for critical space requirements.



Superreel® - Industrial Reel

DIMENSIONS



P/N	Port&core number	HOSE-ID. or CABLE-square	Pressure or lmax	Working length	Reel inlet	Hose&Cable outlet	A	B	C	D	E	F	G	H	I	J	K
EEMO530D0405200020	4	1/4"+3*1.5 ²	20Mpa+10A	20m	BSPT1/4".F +Bare wire	BSPT1/4".M +Bare wire	530	191	595	680	801	266	690	200	659	4	14
EEMO530D0505200020	5	1/2"+4*1.5 ²	20Mpa+10A	20m	BSPT1/2".F +Bare wire	BSPT1/2".M +Bare wire	530	191	595	680	801	266	690	200	659	4	14
220VAC							Dimensions are in millimeters										

